

# Mini- EXCAVATOR AX30-2



1. AIRMAN's New Hydraulic Circuit System (AHCS-2) and Hydraulic Pilot System provide smooth combined operation.
2. Variable capacity pump automatically controls power and speed.
3. Low noise and clean engine is most suitable for work in urban areas.
4. Mechanical swing brake and gate lock lever system ensure safety operation.
5. Self-lubricated bushing system used for front and blade pins and easy bucket clearance adjustment mechanism save maintenance time and maintenance cost.
6. Maintenance-free swing motor requires no oil changes.
7. Two-speed travel motor affords a top class speed in high speed and powerful work in low speed.
8. Minimum swing radius and maximum digging force are superior in this class.

<b>BUCKET CAPACITY</b>	<b>:0.09M<sup>3</sup></b>
<b>RATED ENGINE OUTPUT</b>	<b>:23.5PS/2000RPM</b>
<b>OPERATING WEIGHT</b>	<b>:CANOPY 2820Kg</b>
	<b>:CABIN 2950Kg</b>



The unit pictured may be equipped with optional accessories.

**HOKUETSU INDUSTRIES CO.,LTD.**

# Mini-EXCAVATOR

## AX30-2

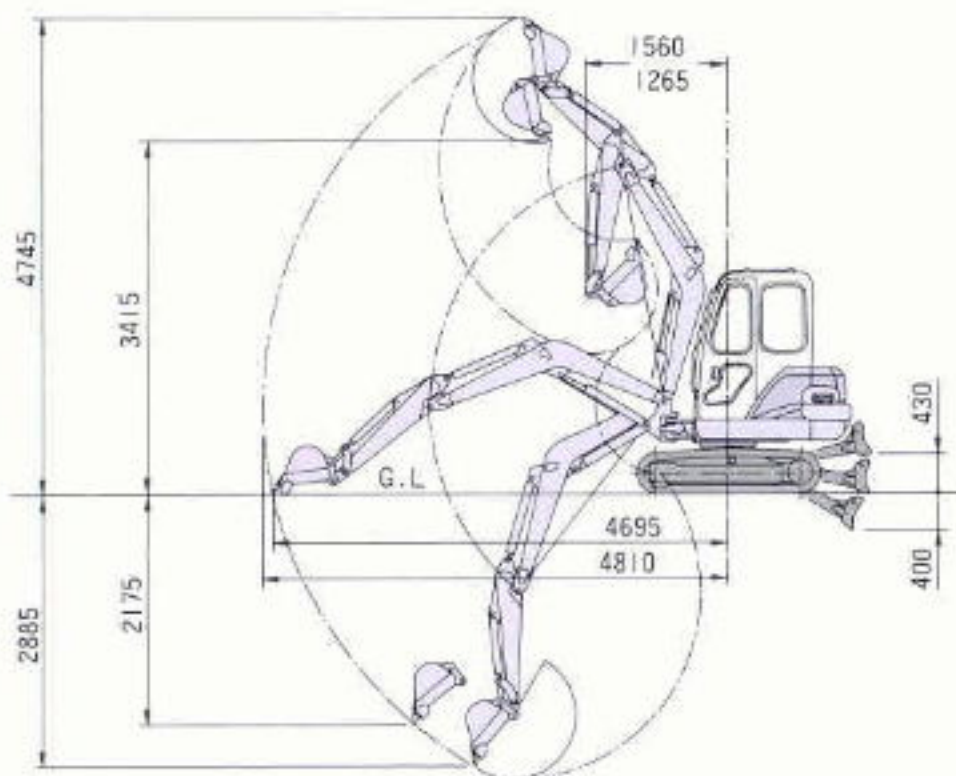
With AHCS-2

(Airman's New Hydraulic Circuit System)

+

### Hydraulic Pilot System

#### WORKING RANGE



#### OPTION

- Narrow Bucket : 300mm wide (capacity 0.045m<sup>3</sup>)
- : 350mm wide (capacity 0.055m<sup>3</sup>)
- : 450mm wide (capacity 0.08m<sup>3</sup>)
- Wide Bucket : 600mm wide (capacity 0.11m<sup>3</sup>)
- Long Arm : 1565mm (STD Arm 1285mm)
- Extra Pippings for attachments
- Wide Steel Shoe : 400mm wide
- Steel Triangle Shoe : 400mm wide

#### SPECIFICATIONS

Model name		AX30-2			
Type of shoe		rubber		steel	
Type of roof		canopy	cabin	canopy	cabin
Operating weight	kg	2750	2880	2820	2950
Bucket capacity	m <sup>3</sup>	0.09			
Bucket width	mm	520			
<b>●Diesel Engine</b>					
Model		KUBOTA V1505			
Type		watercooled 4 cycle 4 cylinder swirl chamber type			
Piston displacement	cc	1498			
Rated output	hp/rpm (kW/1)	23.5/2000 (17.3/2000)			
<b>●Hydraulic Devices</b>					
Main pump (oil flow)	(l/min)	variable capacity piston type × 236×2			
Pilot pump		gear type × 1			
Main relief set pressure	kgf/cm <sup>2</sup>	210 (20.6MPa)			
Swing motor		piston type × 1			
Travel motor		variable capacity piston type × 2			
<b>●Working Range</b>					
Max. digging depth	mm	2885(3185)	2900(3200)		
Max. vertical digging depth	mm	2175(2450)	2190(2465)		
Max. digging height	mm	4745(4910)	4730(4895)		
Max. dumping height	mm	3415(3580)	3400(3565)		
Max. digging radius	mm	4810(5075)			
Max. digging radius at ground	mm	4695(4965)			
Boom swing angle (Left/Right) degree		90/50	80/50	90/50	80/50
Front min. swing radius	mm	1560(1670)			
Front min. swing radius at Boom swing	mm	1185 (1285)	1265 (1375)	1185 (1285)	1265 (1375)
Rear swing radius	mm	1370			
<b>●Max. Digging Force</b>					
Bucket	kgf	2290(22.4kN)			
Arm	kgf	1840(16.1kN)			
<b>●Speed</b>					
Travel speed	km/h	4.5/3.0		4.2/2.8	
Swing speed	rpm	9.0(9.0min <sup>-1</sup> )			
Gradeability degree		30(58%)			
<b>●Undercarriage</b>					
Shoe width	mm	300			
Ground pressure	kgf/cm <sup>2</sup> (kPa)	0.26(25.7)	0.27(27.0)	0.27(26.1)	0.28(27.3)
Parking brake		Hydraulic			
Ground clearance	mm	330		315	
<b>●Dimensions for Transportation</b>					
Overall Length	mm	4680 (4780)			
Overall Width	mm	1520			
Overall Height	mm	2350	2440	2335	2425
<b>●Dozer Blade</b>					
Dimensions (Width × Height)	mm	1520×350			
Lift Capacity (Upper/Lower from ground)	mm	430/400			
<b>●Service Refill Capacities</b>					
Fuel Tank	liters	50			
Hydraulic Tank	liters	40 (standard level 30)			
Engine Oil	liters	6.2			
Engine Coolant	liters	6.0			

●The figures of Working Range in ( ) indicate those of the machine with long arm.

●The external view and specifications are subject to change for improvements without notice.